



KENWOOD
T E L E C O M
T-MOBILE ORDER GUIDE





Kenwood Telecom was founded in 1980 and brings over 40 years of excellence and expertise to our customers. With decades of practical experience and worldwide manufacturing capabilities, we can support your efforts efficiently and cost effectively.

Whether you require a standard bill of materials, long-term project support, streamlined processes, innovative designs or custom engineered solutions, Kenwood Telecom's extensive capabilities provide the precision fabrication and high capacity output to support all of your needs.

Kenwood Telecom's goal is 100% customer satisfaction. Our commitment is to produce materials and provide services that exceed our customer's expectations and to continue to bring great products to the wireless industry.

Thank you for your business.

KENWOOD TELECOM
3431 NOVIS POINTE, ACWORTH, GA 30101
888-439-0500 OFFICE • 770-974-5100 FAX
WWW.KENWOODTELECOM.COM
SALES@KENWOODTELECOM.COM

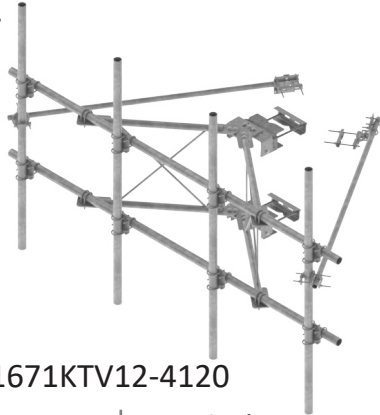
Sector Frames

- Guyed and Self-Support antenna mounts
- Designed for today's heavy loads
- All round member frames
- Easy taper and azimuth adjustment
- 8ft, 10ft, 12ft and 14ft face available
- Most common mount for T-Mobile listed below

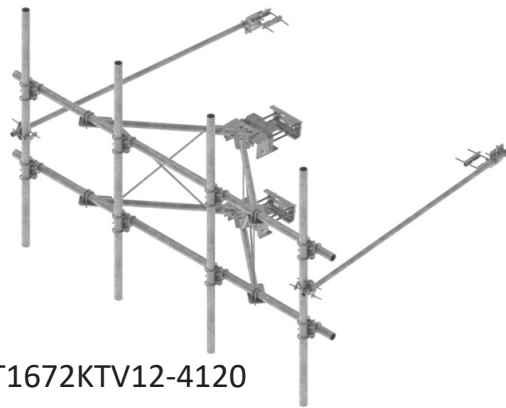
Fits Leg:

- Round 1-1/2in OD to 8-1/2in OD Leg
- 60 Degree Angle 2in to 8-1/2in Leg
- 90 Degree Angle 2in to 6in Leg

Each frame comes standard with two tie back arms and all necessary crossover kits to mount 2-7/8in OD mast pipes.



T1671KTV12-4120



T1672KTV12-4120

Part Number	Description
T1671KTV10	Sector Frame 3ft Stand Off 10.5ft Face, No Mast Pipes Included
T1671KTV12	Sector Frame 3ft Stand Off 12.5ft Face, No Mast Pipes Included
T1671KTV12-4120	Sector Frame 3ft Stand Off 12.5ft Face, (4)10ft Mast Pipes
T1672KTV12	Sector Frame 3ft Stand Off 12.5ft Face HD, No Mast Pipes Included
T1672KTV12-4120	Sector Frame 3ft Stand Off 12.5ft Face HD, (4)10ft Mast Pipes



T1704KT6A



T1704KT3A



T1342KT

Part Number	Description
T1342KT	Pipe Mount, 4-1/2in pipe, HD, Mounts to Round Member up to 5in OD
T1344KT	Pipe Mount, 4-1/2in pipe, HD, Mounts to Round Member up to 12in OD
T1704KT3A	Microwave Dish Mount, 2ft Stand-off
T1704KT6A	Pipe Mount, Taper Adjustment, 0-6 degree
T1704KTL6A	Pipe Mount, Taper Adjust Large Leg HD 16in OD
P1500KT6	Pipe 4-1/2in OD x 6ft HDG Grade B/C
P1500KT8	Pipe 4-1/2in OD x 8ft HDG Grade B/C

- For severe azimuths on tapered leg, pipe mount, taper adjustment may be needed.
- For large legs purchase large leg pipe mount, taper adjustment above.

Straight Leg Circle Mounts

- Guyed and straight tower antenna mount
- Purchase with or without reinforcement
- Curved square tube design allows for ease of installation
- Includes mounting hardware for 2-3/8in and 2-7/8in OD mast pipe
- Pipes purchased separately

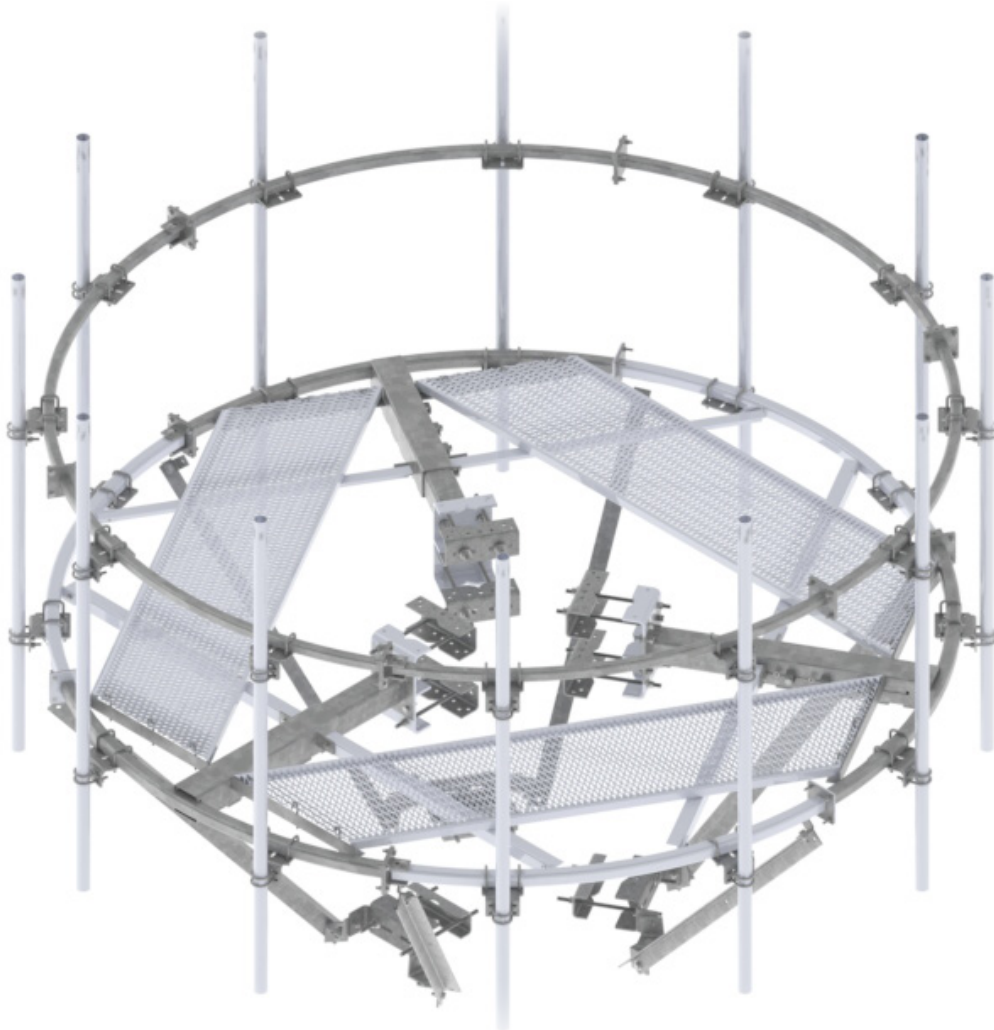
Fits Leg:

Round 1-1/2in OD to 8-1/2in OD

60 Degree Angle 2in to 8-1/2in

90 Degree Angle 2in to 6in

Face width up to 60in only



T1515KTR-G

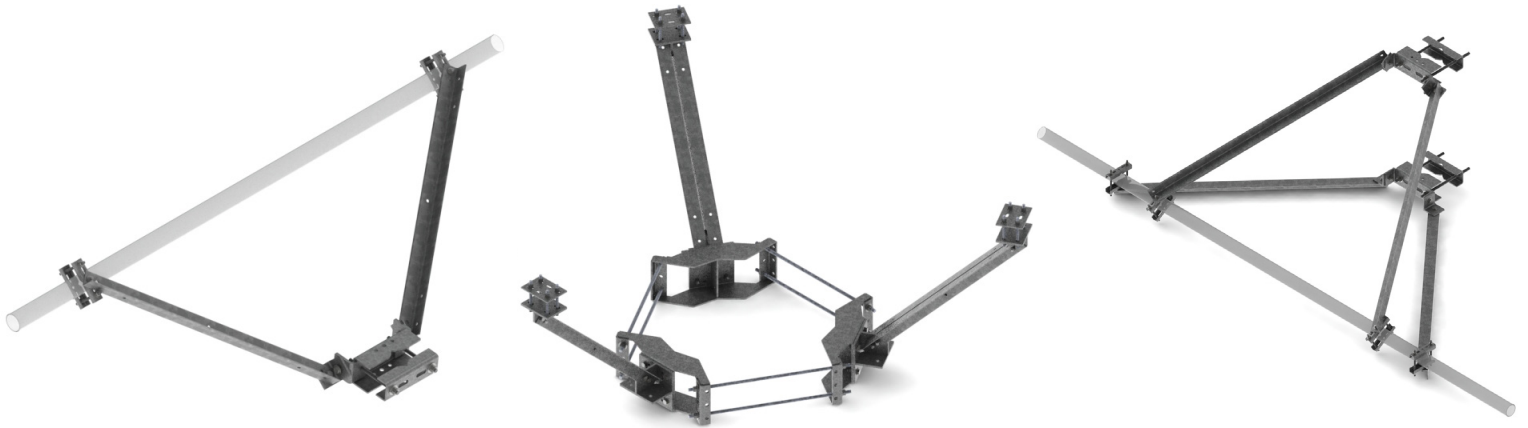
Part Number	Description
T1515KTR-G	Circle Platform, Guyed, w/ support rail and reinforcement kicker - 12.7ft OD
P1000KT10.5	Pipe HSS 2-3/8in OD x .15 wall thickness, A500/B
P1090KT10	Pipe HSS 2-7/8in OD x .203 wall thickness, A500/B

Reinforcement Kit

- Single or double reinforcement kit available
- 52in or 72in long support angles
- Attaches to both round and angled members

Fits Leg:

Round 1-1/2in OD to 8-1/2in OD
 60 Degree Angle 2in to 8-1/2in
 90 Degree Angle 2in to 6in



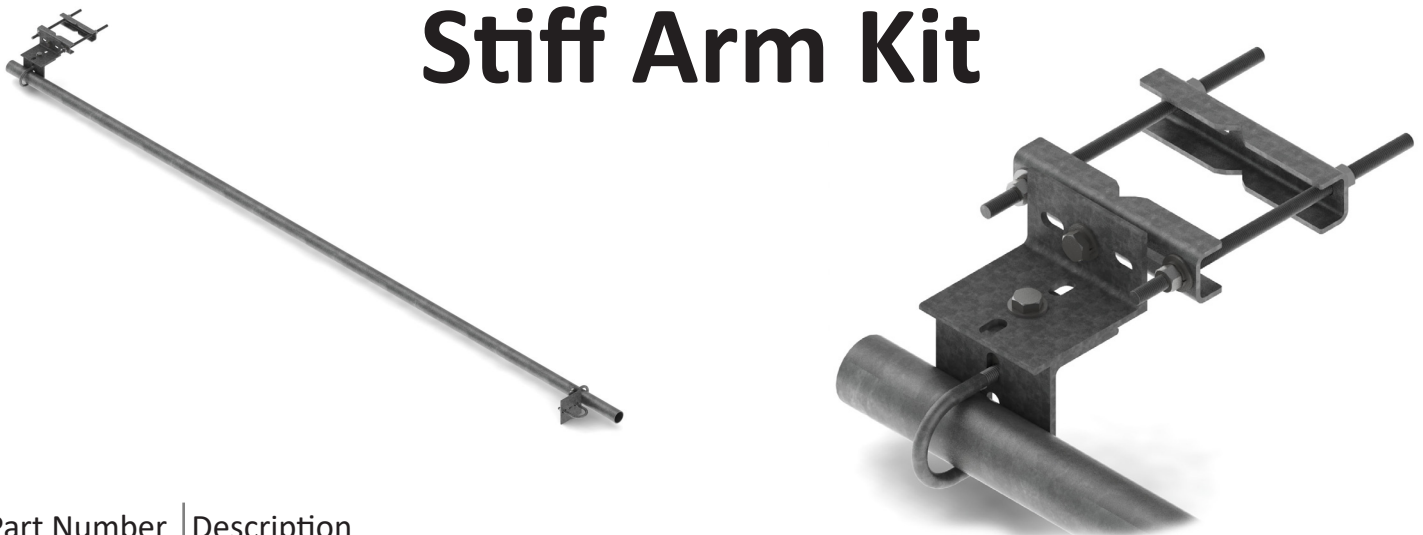
Z2026KTSST

T1730KT-M

Z2026KTRL

Part Number	Description
Z2026KTSST	Stabilizer Kit for Sector Frame/Stand-off Arm Self-Supporting Tower
Z2026KTR	Double Sector Frame Reinforcement Kit
Z2026KTLSST	Stabilizer Kit for Sector Frame/Stand-off Arm Self-Supporting Tower, Long Version
Z2026KTRL	Double Sector Frame Reinforcement Kit, Long
T1730KT-M	Stabilizer/Support Assembly for Existing Monopole Mounts 10-48in OD

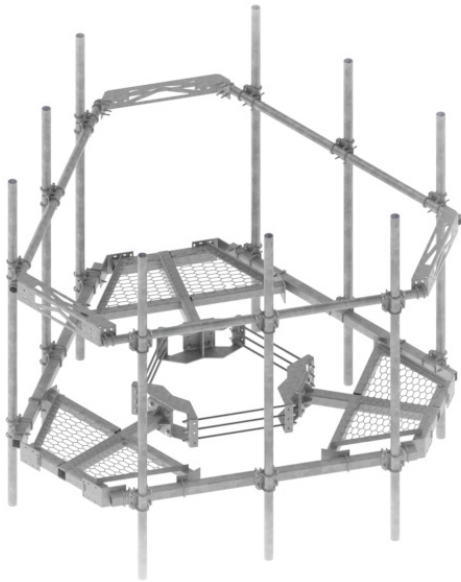
Stiff Arm Kit



Part Number	Description
T1325KT12	Universal Stiff Arm & Hardware Kit with 2-3/8in x 12.5ft pipe
T1325KT16	Universal Stiff Arm & Hardware Kit with 2-3/8in x 16ft pipe
T1326KT12	Universal Stiff Arm & Hardware Kit with 2-3/8in x 12.5ft pipe K1004KT style crossovers
T1307KTL	Universal Stiff Arm Kit - Up to 16in OD, pipe sold separately

Patented Snub Nose Antenna Mount

- Patented antenna mount
- Unique design allows for multiple azimuths
- Corner mount can hold two antenna or one in the center
- Fits monopole 10-48in OD
- Purchase adapter ears separately for up to 60in OD



T1507KTHD-39120-M-H



T1516KT-12120-MH

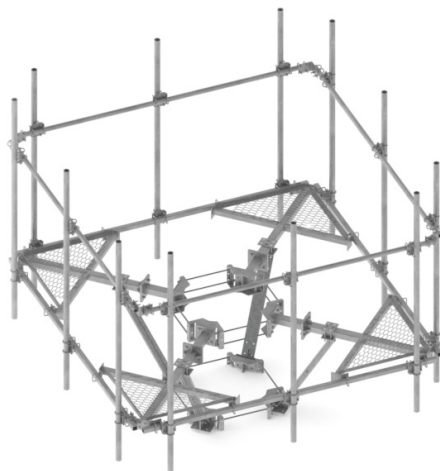
Part Number	Description
T1507KTHD-39120-M-H	Heavy duty square face snub with support rail and (9) 2-7/8in x 120in mast pipe
T1507KTHD-996C9-M-H	Heavy duty square face snub with support rail and (9) 2-7/8in x 96in mast pipe
T1516KT-12120-MH	Snub-nose platform (12) 2-3/8in OD x 10.5ft pipes, 10-48in collar and support rail
T1516KT-1296-MH	Snub-nose platform (12) 2-3/8in OD x 8ft pipes, 10-48in collar and support rail
T1516KT-9126-MH	Snub-nose platform (9) 2-3/8in OD x 10.5ft pipes, 10-48in collar and support rail
T1516KT-996-MH	Snub-nose platform (9) 2-3/8in OD x 8ft pipes, 10-48in collar and support rail

Platform Mounts

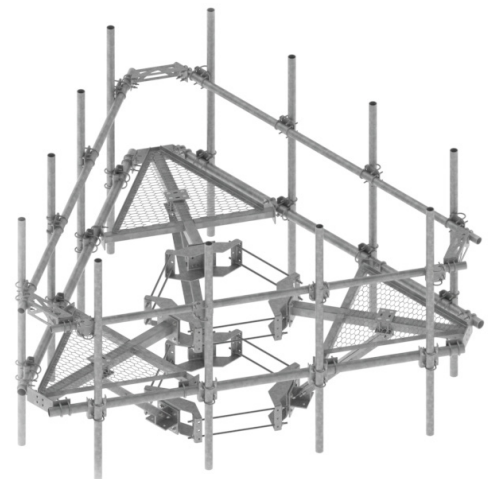
- 12ft Standard Platform with support rail
- Three and four sided options
- Fits Monopole 10-48in OD
- Purchase adapter ears separately for up to 60in OD



T1512KT12H-123120-M-H3



T1517KTR12-312120-H-S



T1510KT12BR-312120-M-H3

Part Number	Description
T1512KT12H-M-H3	Platform Assembly Heavy Duty with 12ft square tube face 2-7/8ft support rail 10-48in ring mount 12 pipe mount kits
T1512KT12H-123120-M-H3	Platform Assembly, Heavy Duty, 12ft Sq Tube Face w/ Support Rail (12) 2-7/8in x 10ft Mast Pipe, includes 10-48in OD collar
T1510KT12BR-312120-M-H3	Platform Assembly, Pipe Face (12) 2-7/8in x 10ft Mast Pipe, Support Rail, Ring Mount Stabilizer, includes 10-48in OD collar
T1517KTR12-312120-H-S	Quad Platform 12ft Square Tube Face (12) 96in x 10ft Mast Pipes with 10-48in collar & Support Rail and Reinforcement Kit
T1517KT12-312120-H-S	Quad Platform 12ft Square Tube Face (12) 96in x 10ft Mast Pipes with 10-48in collar & Support Rail
T1541KT12H-M-H3	Platform Assembly, Heavy Duty, 12ft Square Tube Face w/ 2-7/8in OD with Support Rail and 10in-48in Ring Mount
T1542KT12XS-M-H35	Platform Assembly, Extra Heavy Duty, 12ft Square Tube Face w/ 3-1/2in OD with Support Rail and 10in-48in Ring Mount

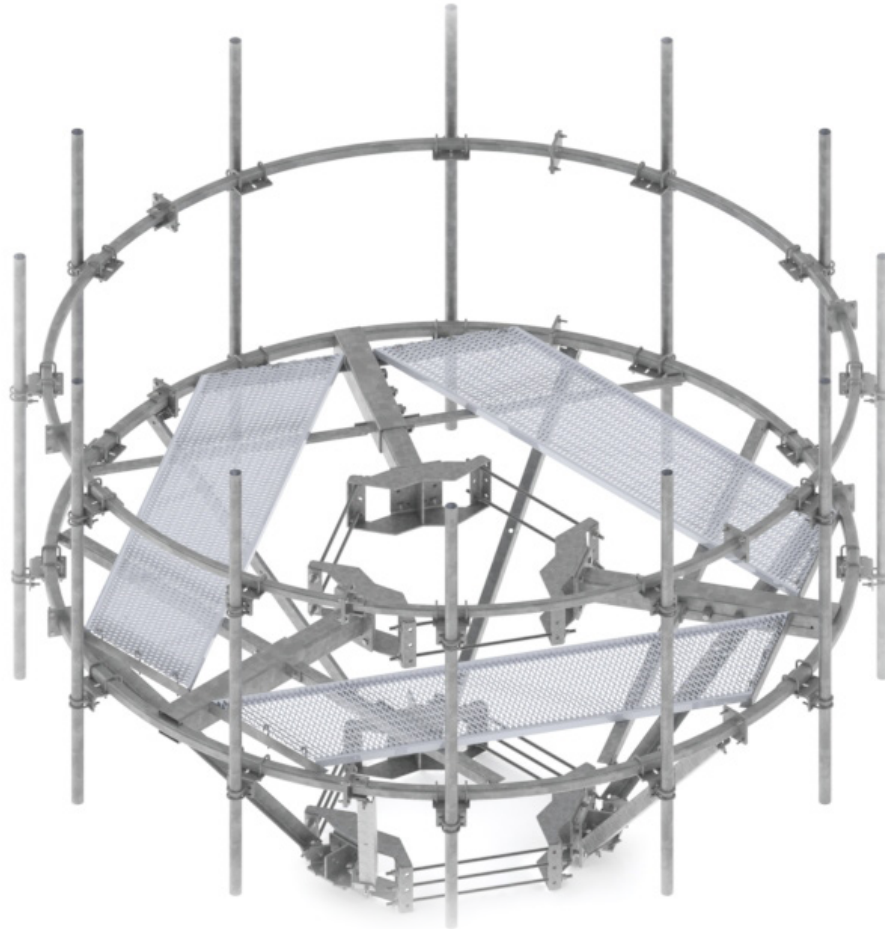
Circle Mount

- Monopole antenna mount
- Purchase with or without reinforcement
- Curved square tube design allows for ease of installation
- Includes mounting hardware for 2-3/8in and 2-7/8in OD mast pipe
- Pipes purchased separately

Fits Monopole:

Fits Monopole 10-48in

Purchase adapter ears separately for up to 60in OD

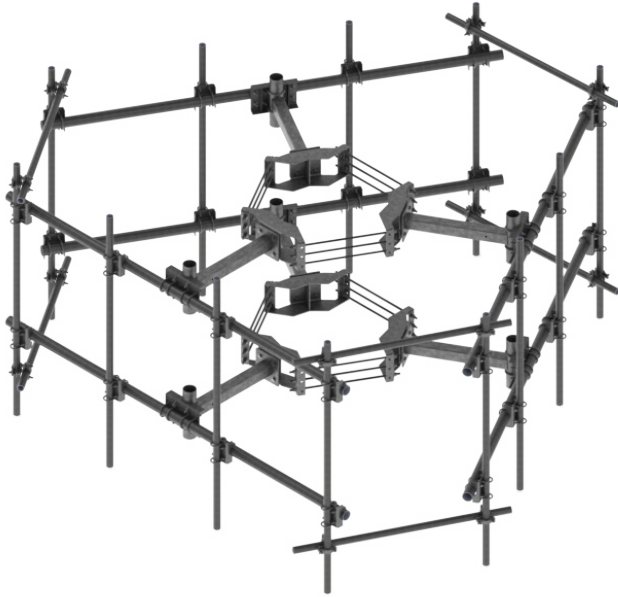


T1515KTR-H-M

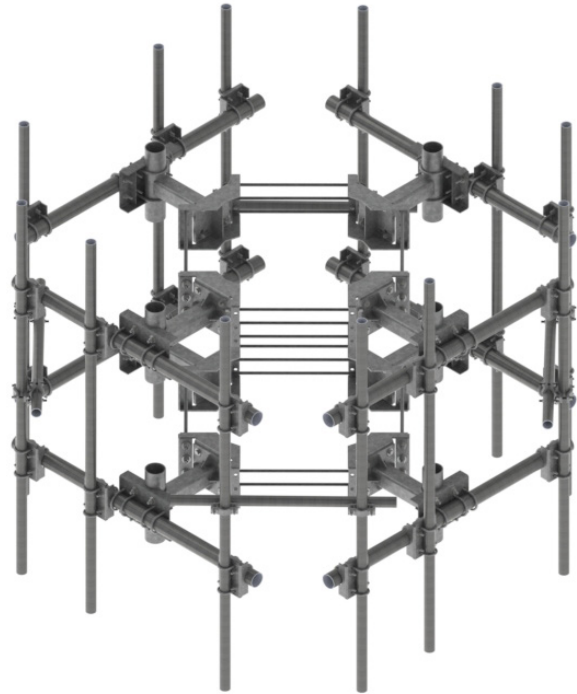
Part Number	Description
T1515KTR-H-M	12.7ft Circle Platform Monopole w/ Reinforcement
P1000KT10.5	Pipe 2-3/8in OD x 10.5ft Sch 40 A500/B 50 ksi min Yield HDG
P1090KT10	Pipe 2-7/8in OD x 10 L HDG A500/B Sch 40 50 ksi min yield

T-Arm Mount

- Three and Four Sided Double T-Arm
- Ideal for Monopine Applications
- Fits Monopole 10-48in
- Purchase adapter ears separately for up to 60in OD



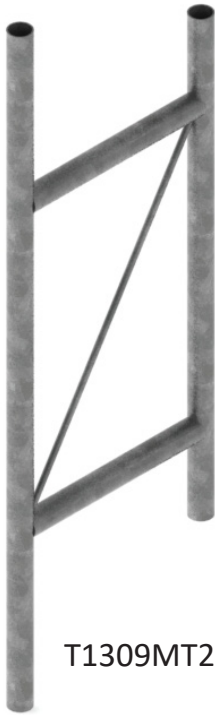
T1720KT236-1296-2M



T1723KT236-12396

Part Number	Description
T1720KT218-996	18in Double T-arm Assembly with (9) 2-3/8in x 8ft Mast Pipes, 8ft face
T1720KT218-996C	18in Double T-arm w/ (9) 2-7/8in x 8ft Mast Pipes, 8ft face
T1720KT218-39120	18in Double T-arm w/ (9) 2-7/8in x 10ft Mast Pipes, 8ft face
T1720KT236-1296-2M	36in Double T-arm Assembly w/ (12) 2-3/8in x 8ft Mast Pipes, 12.5ft face, 10-48in collar
T1723KT218-1296	18in Double T-Arm Assembly Quad Mount w/ (12) 2-3/8in x 8ft Mast Pipes, 10.5ft face
T1723KT218-312120	18in Double T-Arm Assembly Quad Mount w/ (12) 2-3/8in x 10ft Mast Pipes, 10.5ft face
T1723KT236-12396	36in Double T-Arm Assembly Quad Mount w/ (12) 96in x 2-7/8 Mast Pipes, 12.5ft face
T1723KT236-163120	36in Double T-Arm Assembly Quad Mount w/ (16) 96in x 2-7/8 Mast Pipes, 12.5ft face
T1760KT16-63120-2M	16in Double T-Arm Assembly w/ (6) 2-7/8in Mast Pipe

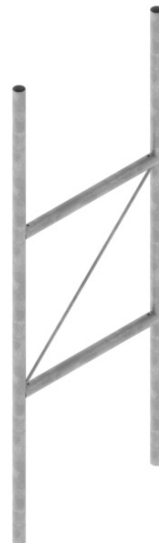
Stand-off



T1309MT24



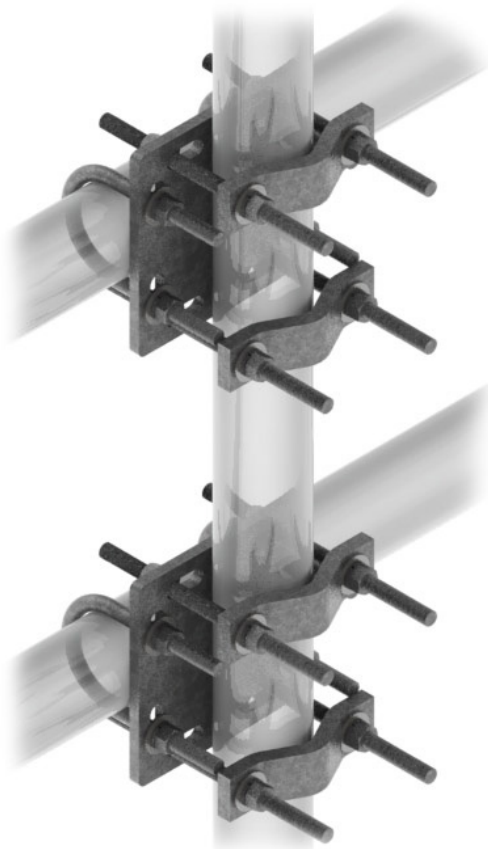
T1309MT12-120



T1309MT36-96

Part Number	Description
T1309MT12	Stand-off Bracket, 12in, 2-3/8in x 70in antenna pipe
T1309MT12-96	Stand-off Bracket, 12in, 2-3/8in x 96in long antenna pipe
T1309MT12-120	Stand-off Bracket, 12in, 2-3/8in x 120in long antenna pipe
T1309MT24	Stand-off Bracket, 24in, 2-3/8in x 70in antenna pipe
T1309MT36-96	Stand-off Bracket, 36in, 2-3/8in x 96in long antenna pipe

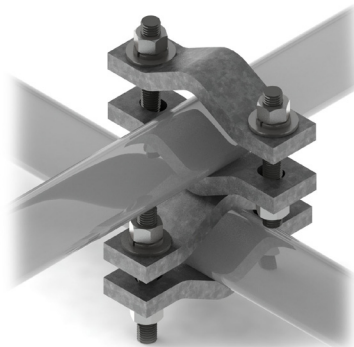
Crossovers & Pipes



T1709KT10A



K7940KT14-2

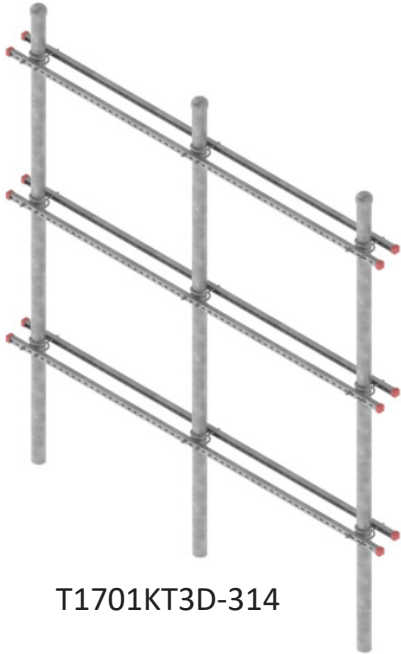


K1004KT1

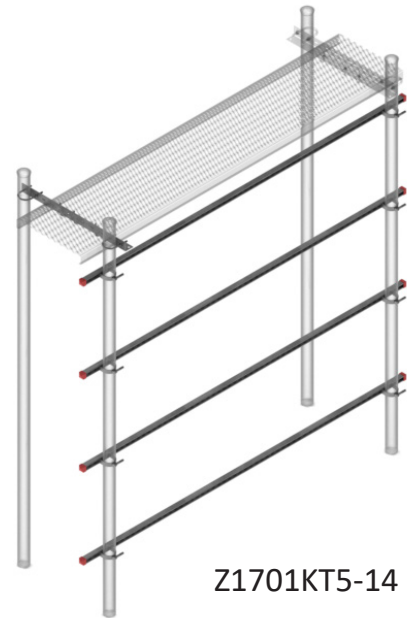
Part Number	Description
T1709KTA	Pipe mount crossover kit 2-3/8in-2-3/8in. Kit of two. (U-Bolts)
T1709KT1A	Pipe mount crossover kit 2-3/8in-2-7/8in. Kit of two. (U-Bolts)
T1709KT10A	Pipe mount crossover kit 2-7/8in-3-1/2in. Kit of two. (Half-Clamps)
T1709KT2A	Pipe mount crossover kit 2-3/8in-3-1/2in. Kit of two. (U-Bolts)
P1000KT12.5	Pipe 2-3/8in OD x 12.5ft HDG A500/B Sch 40 50 ksi min yield
P1000KT8	Pipe 2-3/8in OD x 12.5ft HDG A500/B Sch 40 50 ksi min yield
P1000KT9	Pipe 2-3/8in OD x 9ft HDG A500/B Sch 40 50 ksi min yield
P1090KT8	Pipe 2-7/8in OD x 8ft HDG A500/B Sch 40 50 ksi min yield
P1090KT9	Pipe 2-7/8in OD x 9ft HDG A500/B Sch 40 50 ksi min yield
P1200KT12.5	Pipe 3-1/2in OD x 12.5ft HDG A500/B Sch 40 50 ksi min yield
P1200KT14	Pipe 3-1/2in OD x 14ft HDG A500/B Sch 40 50 ksi min yield
P1200KT8	Pipe 3-1/2in OD x 12.5ft HDG A500/B Sch 40 50 ksi min yield
P1200KT9	Pipe 3-1/2in OD x 9ft HDG A500/B Sch 40 50 ksi min yield
K1004KT1	Crossover clamp kit 2-3/8in x 2-3/8in
K7940KT14-2	Kit of (2) 1/2in diameter U-Bolts with (4) nuts, flats, locks

H-Frames

- Standard pipe size is 3-1/2in OD direct burial pipe or footed
- Includes all necessary mounting hardware and pipe caps
- Custom pipe lengths, rack widths, and surface mounts available upon request



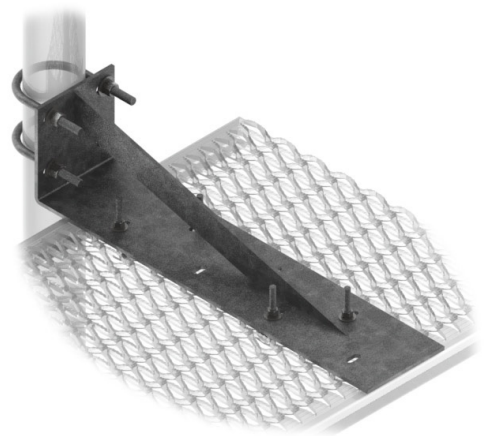
T1701KT3D-314



Z1701KT5-14



T3448KT14

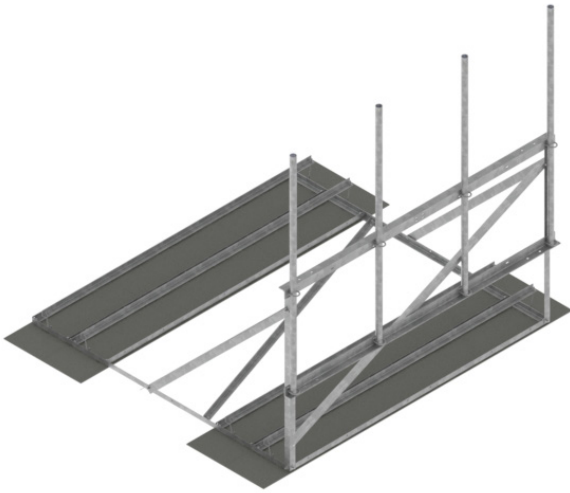


T3411KTA

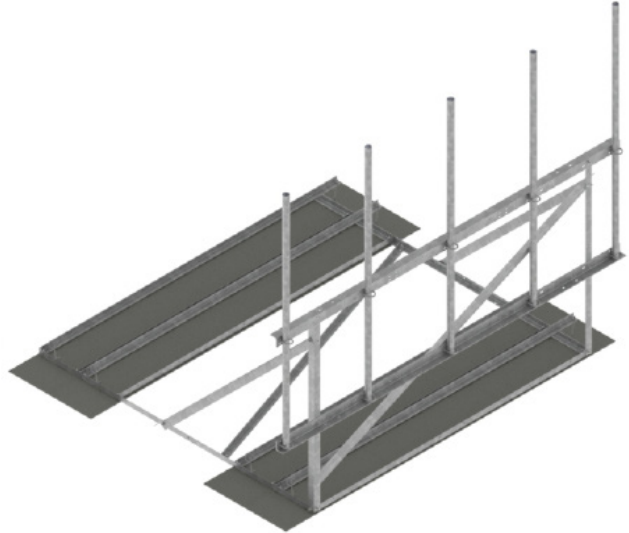
Part Number	Description
T1701KT3D-314	Two sided H-frame 3 level 14ft Burial
Z1701KT5-14	Custom H-frame with 5 rails with 14ft posts
P8810KTA	Pipe shoe for 3.5in pipe
T3448KT14	48in wide ice bridge canopy, 2 posts, no trapeze
T3448KT314	48in wide ice bridge canopy, 3 posts, no trapeze
T3411KTA	24in Icebridge Horsehead Kit

Roof Frames

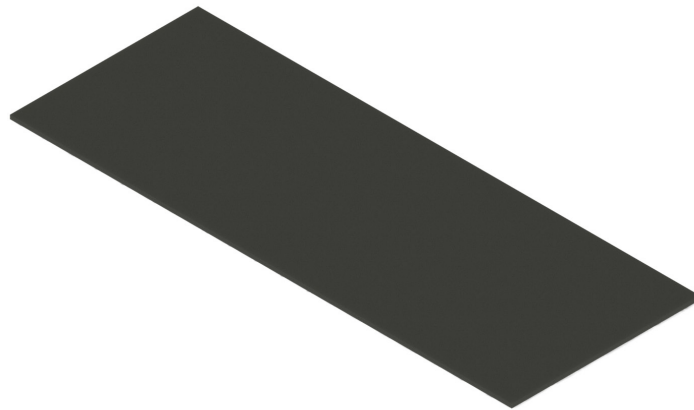
- Non-penetrating frames with 10ft or 12ft face
- Concrete blocks can be used as ballast to secure the frame, purchased elsewhere
- Roof frames may be purchased with or without antenna pipes as detailed in the kits below
- Rubber mats (T9950KT) sold separately



T1910KT10X



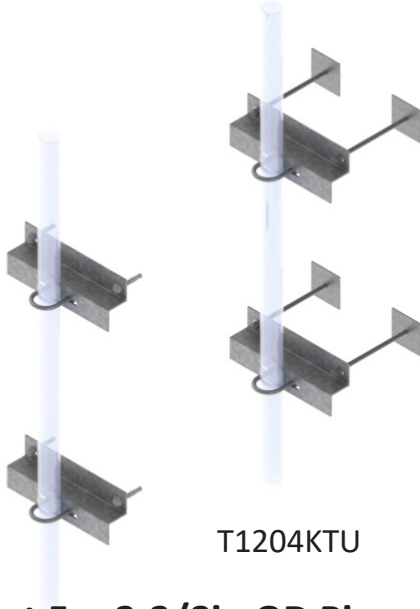
T1910KT12X



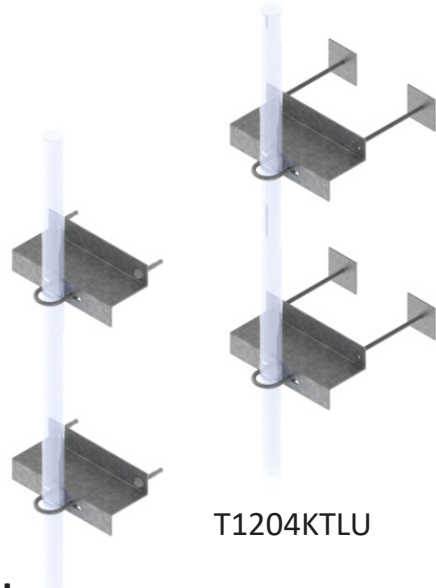
T9950KT

Part Number	Description
T1910KT10X	Rooftop Mount 10ft x 10ft, 10ft Angle Face
T1910KT12X	Rooftop Mount 10ft x 10ft, 12ft Angle Face
T1910KTP12	Rooftop Mount 10ft x 10ft, 12ft Pipe Face
T9950KT	Rubber Mat 3/8in x 18in x 48in (10mm thick)

Wall Mounts



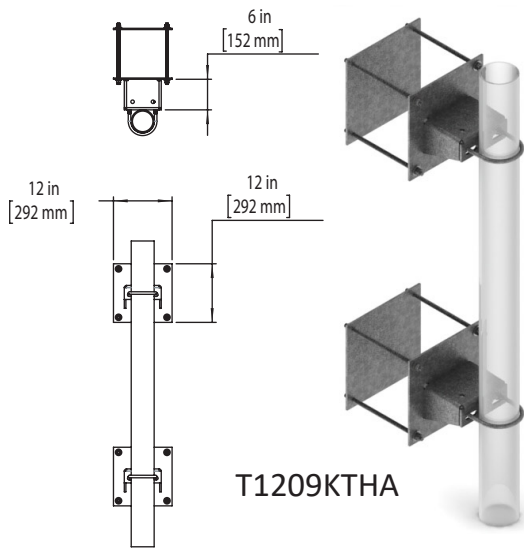
T1204KTU



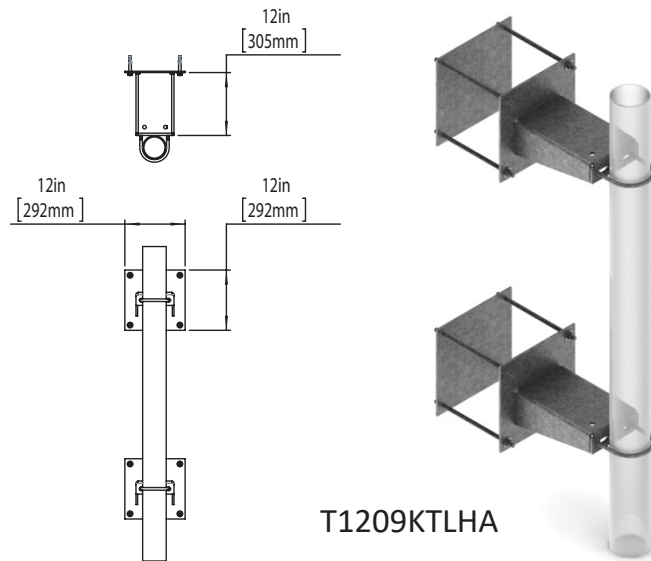
T1204KTLU

Z-Bracket For 2-3/8in OD Pipe, pipe sold separately

Part Number	Description
T1204KT	Z-Bracket Wall Mount Kit for 2-3/8in antenna pipe
T1204KTU	Universal Wall Mount Kit, 3in Stand-Off, with hardware
T1204KTLU	Universal Wall Mount Kit, 6in Stand-Off, with hardware
T1204KTH-H	Hollow wall mounting hardware only
T1204KTS-H	Solid wall mounting hardware only



T1209KTHA



T1209KTLHA

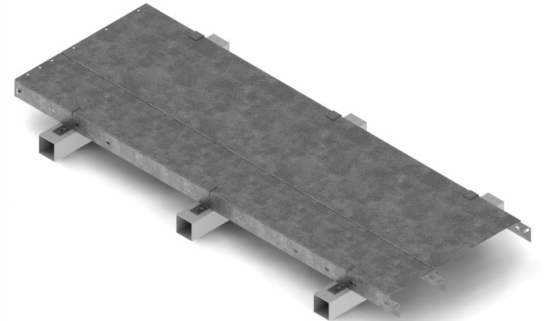
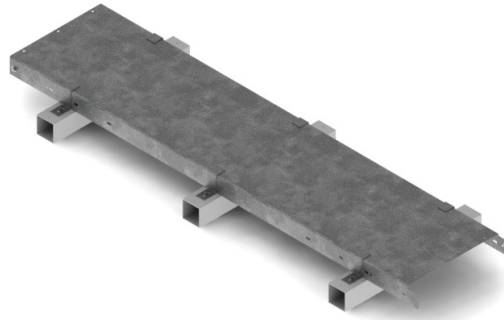
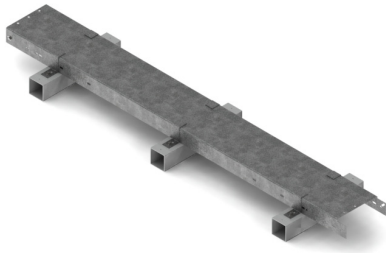
- Heavy Duty for 2-3/8in to 4-1/2in OD Pipe
- Pipe and U-Bolts Sold Separately
- All material is galvanized steel

Part Number	Description
T1209KTHA	Universal for solid or hollow walls, 6in Stand-Off
T1209KTLHA	Universal for solid or hollow walls, 12in Stand-Off
T1209KTLS	Wall mount, 12in Stand-Off solid wall
T1209KTS	Adjustable wall mount for solid wall

Rooftop Bridge Kits, Self-Splicing

Standard Style, 3-1/2in Loading Height

- Non-penetrating method for supporting cable runs
- Standard Style has 3-1/2in of loading space and allows for a single tier of lines
- 3 PVC sleepers with 3/4in holes and all attachment hardware are included in every kit
- Purchase turns, risers, and sleeper rubber mats separately
- All material is galvanized steel



T3604KT4-S
8ft Long, 3-1/2in Deep
11-1/4in wide for 4 runs

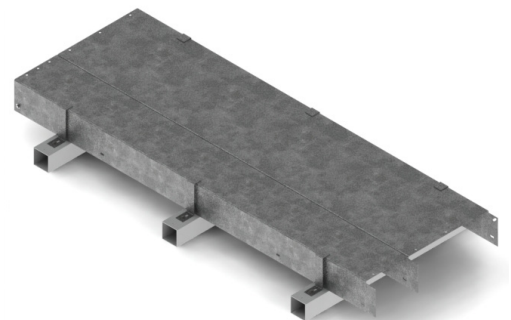
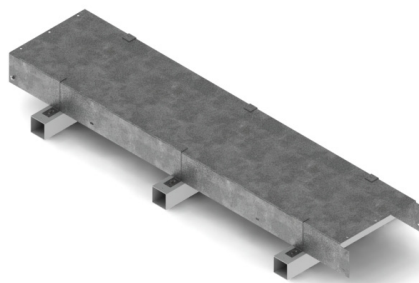
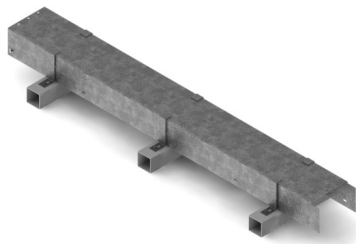
T3604KT8-S
8ft Long, 3-1/2in Deep
21-1/2in wide for 8 runs

T3604KT12-S
8ft Long, 3-1/2in Deep
32-3/4in wide for 12 runs

Part Number	Description
T3604KT4-S	11-1/4in wide for 4 runs
T3604KT8-S	21-1/2in wide for 8 runs
T3604KT12-S	32-3/4in wide for 12 runs
T3600MTP4	Sleeper rubber mats, 4in x 10ft x 1/4in

Deep Style For Multiple Tiers of Cables, 7in Loading Height

- Non-penetrating method for supporting cable runs
- Deep Style has 7in of loading space which allows 3 tiers of 7/8in cable or 2 tiers of 1-5/8in cable
- 3 PVC sleepers with 3/4in holes and all attachment hardware are included in every kit
- Purchase Multi-Run Snap-In Hangers, turns, risers, and sleeper rubber mats separately
- All material is galvanized steel



T3606KT4
8ft Long, 7in Deep
11-1/4in wide for 4 runs

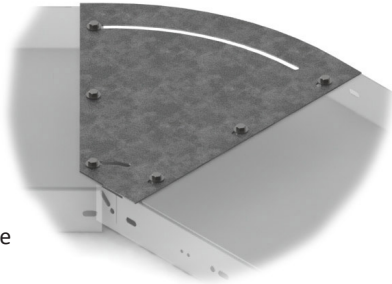
T3606KT8
8ft Long, 7in Deep
21-1/2in wide for 8 runs

T3606KT12
8ft Long, 7in Deep
32-3/4in wide for 12 runs

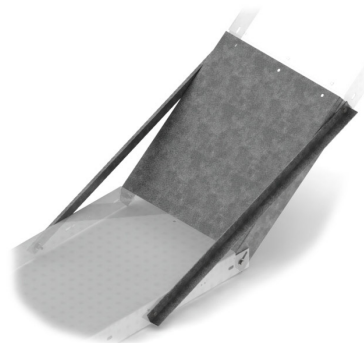
Part Number	Description
T3606KT4	11-1/4in wide for 4 runs
T3606KT8	21-1/2in wide for 8 runs
T3606KT12	32-3/4in wide for 12 runs
T3600MTP4	Sleeper rubber mats, 4in x 10ft x 1/4in

Adjustable Splice/Turns for Rooftop Bridge Kits and Wall Kits

T3207MT
Adjustable Splice



T3403MT8
Riser



Adjustable Splice, Hardware Included

Material: Galvanized Steel

Part Number	Description
T3206MT	For 4 run bridge kit
T3207MT	For 8 run bridge kit
T3209MT	For 12 run bridge kit

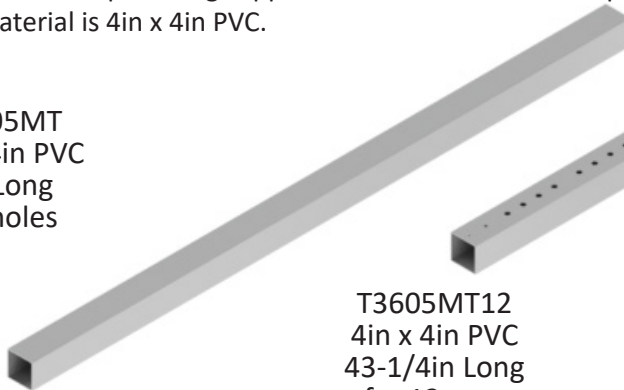
**** One adjustable splice will allow up to a 45 degree turn. Attaching two splices together will allow up to a 90 degree turn. ****

Part Number	Description
T3403MT4	For 4 run bridge kit
T3403MT8	For 8 run bridge kit

Roof Sleepers

Non-penetrating method of providing support for cable runs on rooftops. Each sleeper is punched with 3/4in holes for snap-in hangers. Material is 4in x 4in PVC.

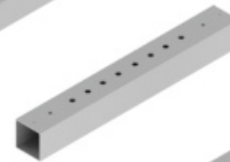
T3605MT
4in x 4in PVC
8ft Long
No holes



T3605MT8
4in x 4in PVC
31-3/4in Long
for 8 runs



T3605MT12
4in x 4in PVC
43-1/4in Long
for 12 runs



T3605MT4
4in x 4in PVC
21-3/4in Long
for 4 runs



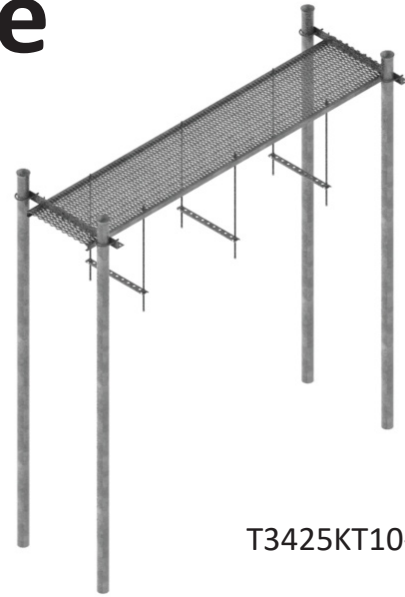
**** Used in Rooftop Bridge Kits ****

Part Number	Description
T3605MT	8ft long, no holes
T3605MT4**	For 4 runs of coax
T3605MT6	For 6 runs of coax
T3605MT8**	For 8 runs of coax
T3605MT9	For 9 runs of coax
T3605MT12**	For 12 runs of coax
T3600MTP4	Sleeper rubber mats, 4in x 10ft

Icebridge



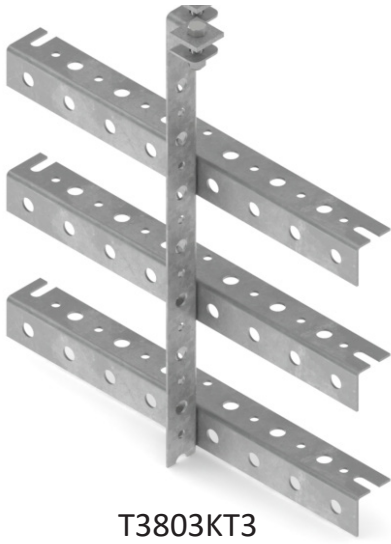
T3424KT14-1



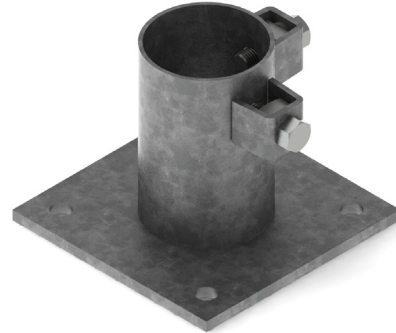
T3425KT10-1

Part Number	Description
T3424KT10-1	Icebridge Kit. GRATING: 24in x 10ft, POSTS: (2) 3-1/2in OD x 10-1/2ft, direct burial. TRAPEZE: (3) channel type, 1-level. Complete kit. Includes all installation hardware.
T3424KT10-2	Icebridge Kit. GRATING: 24in x 10ft, POSTS: (2) 3-1/2in OD x 10-1/2ft, direct burial. TRAPEZE: (3) channel type, 2-level. Complete kit. Includes all installation hardware.
T3424KT10-3	Icebridge Kit. GRATING: 24in x 10ft, POSTS: (2) 3-1/2in OD x 10-1/2ft, direct burial. TRAPEZE: (3) channel type, 3-level. Complete kit. Includes all installation hardware.
T3424KT14-1	Icebridge Kit. GRATING: 24in x 10ft, POSTS: (2) 3-1/2in OD x 14ft, direct burial. TRAPEZE: (3) channel type, 1-level. Complete kit. Includes all installation hardware.
T3424KT14-2	Icebridge Kit. GRATING: 24in x 10ft, POSTS: (2) 3-1/2in OD x 14ft, direct burial. TRAPEZE: (3) channel type, 2-level. Complete kit. Includes all installation hardware.
T3424KT14-3	Icebridge Kit. GRATING: 24in x 10ft, POSTS: (2) 3-1/2in OD x 14ft, direct burial. TRAPEZE: (3) channel type, 3-level. Complete kit. Includes all installation hardware.
T3424KT14-3C	Icebridge Kit. GRATING: 24in x 10ft, POSTS: (2) 3-1/2in OD x 14ft, direct burial. TRAPEZE: (3) center mount type, 3-level. Complete kit. Includes all installation hdw.
T3425KT10-1	Icebridge Kit. GRATING: 24in x 10ft, POSTS: (4) 3-1/2in OD x 10-1/2ft, direct burial. TRAPEZE: (3) channel type, 1-level. Complete kit. Includes all installation hardware.
T3425KT14-1	Icebridge Kit. GRATING: 24in x 14ft, POSTS: (4) 3-1/2in OD x 10-1/2ft, direct burial. TRAPEZE: (3) channel type, 1-level. Complete kit. Includes all installation hardware.

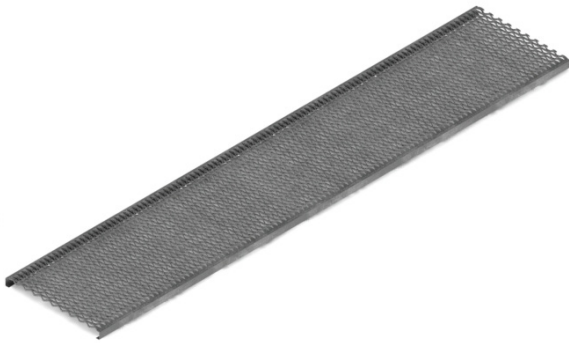
Icebridge Support



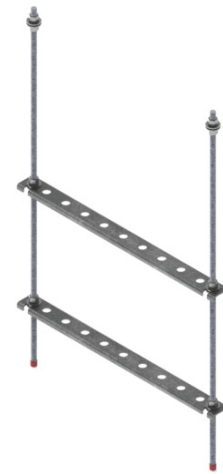
T3803KT3



P8810KTA



T3900KT10



T3810KT2A

Part Number	Description
T3803KT3	Center Mount Trapeze Kit for 24in wide, 3-Level
T3810KT1A	Channel Style Trapeze Kit for 24in wide, 1 Level
T3810KT2A	Channel Style Trapeze Kit for 24in wide, 2 Level
T3810KT3A	Channel Style Trapeze Kit for 24in wide, 3 Level
T3900KT10	Gripstrut 2in x 24in x 10ft 14 gauge
T3900KT12	Gripstrut 2in x 24in x 12ft 14 gauge
P1200KT14	Pipe 3-1/2in OD x 14ft HDG A500/B Sch 40 50 ksi min yield
P8000KT3.5	Pipe cap for 3-1/2in OD pipe HDG
P8809KT	Diamond Floor Plate 30 x 52 x 3/16in HDG
P8810KTA	Pipe Shoe for 3-1/2in Pipe (bolt on style)

Waveguide Ladder



T3501KT12-4J

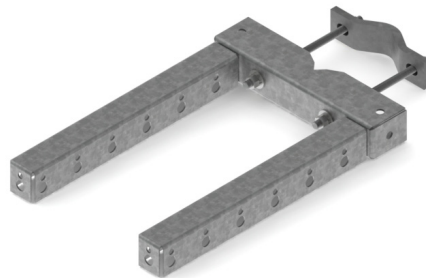


T9922KTA



T3500KT12-4J

Part Number	Description
T3501KT12-4J	Waveguide Ladder, 10ft, 4 runs 12in wide, including attachment hardware
T3501KT18-6J	Waveguide Ladder, 10ft, 6 runs 18in wide, including attachment hardware
T3500KT12-4J	Waveguide Ladder, 20ft, 4 runs 12in wide, including attachment hardware
T3500KT18-6J	Waveguide Ladder, 20ft, 6 runs 18in wide, including attachment hardware



Part Number	Description
T9433KT4	RRU Snapstack Hanger, Fits 3/4in to 7in

Plastic Hangers



T9380KT1014



T9122MT38P



T9108KT



T9380KT-ISO



Part Number	Description	UOM	Weight
T9108KT	Poly Snap-in Hang Adapter 3/4in Hole P10	Kit of 10	0.275
T9109KT	Poly Multi-Func Adapt SnapTak P10 3/4 Hole 3/8 or 1/2 Bolt	Kit of 10	0.331
T9380KT47	Poly SnapTak Adjust Cable Hang 4-7 mm	Kit of 10	1.19
T9380KT710	Poly SnapTak Adjust Cable Hang 7-10 mm	Kit of 10	1.19
T9380KT1014	Poly SnapTak Adjust Cable Hang 10-14 mm	Kit of 10	1.19
T9380KT1416	Poly SnapTak Adjust Cable Hang 14-16 mm	Kit of 10	1.19
T9105MTP	Polymer Univ Angle Adapter 3/4in Hole	Kit of 10	0.331
T9380KT-ISO	Poly SnapStak PIM Isolator	Kit of 10	0.331
T9122MT38P	Three Hole Composite Snap-in Hanger Adapter (P10)	Kit of 10	0.595

Tie Wraps and Hook & Loop



Part Number	Description	UOM	Weight
T9757KT	1/2in x 18in, black UV stabilized	Pack of 25	0.8
T9900KT16P	PIM Acetal Strap 16in	Pack of 50	0.25
T9900KT27P	PIM Acetal Strap 27in	Pack of 25	0.125
T9900MT	Tie Wraps, 3/16in X 17in, black, UV resistant, .19W, 50 lbs	Pack of 100	0.5
T9901MT	Tie Wraps, 5/16in X 18in, black, UV resistant, 120 lbs	Pack of 100	0.5
M9010KT12-25	12in Hook & Loop Strap, Pack of 25	Pack of 25	0.12
M9010KT12-50	12in Hook & Loop Strap, Pack of 50	Pack of 50	0.24
M9010KT12-100	12in Hook & Loop Strap, Pack of 100	Pack of 100	0.48

Mini Cable Support

- Each block supports 2 cables and can be stacked 3 high
- Can be mounted anywhere 3/8in mounting hardware can be attached
- Durable, UV resistant polypropylene



Part Number	Description	UOM	Weight
T9461MT	For use with 1/2in corrugated	Kit of 10	1
T9467MT	For use with 7/8in corrugated	Kit of 10	1.2
T9460MT	For use with 1-1/4in corrugated	Kit of 10	1.4
T9462MT	For use with 1-5/8in corrugated or smooth wall	Kit of 10	1.8
T9464MT	For use with 2-1/4in corrugated	Kit of 10	3.3

Large Cable Support Blocks

- Each block supports 2 cables and can be stacked 3 high
- Can be mounted anywhere 3/8in mounting hardware can be attached
- Durable, UV resistant polycarbonate



Part Number	Description	UOM	Weight
T9471MTL	For use with 1/4in corrugated	Kit of 10	1
T9472MTL	For use with 3/8in corrugated	Kit of 10	1.2
T9461MTL	For use with 1/2in corrugated	Kit of 10	1
T9467MTL	For use with 7/8in corrugated	Kit of 10	1.2
T9460MTL	For use with 1-1/4in corrugated	Kit of 10	1.4
T9462MTL	For use with 1-5/8in corrugated or smooth wall	Kit of 10	1.8

Hardware for Mini Coax Blocks

- (1) kit contains (10) 3/8in threaded rod and (30) nuts, lock washers, and flat washers



Galvanized Steel Hardware

Part Number	Description	UOM	Weight
T9919KT2GA	For stacking 2 coax blocks, 8in threaded rod, Galvanized	Kit of 10	2.6
T9919KT3GA	For stacking 3 coax blocks, 12in threaded rod, Galvanized	Kit of 10	3.2

Stainless Steel Hardware

Part Number	Description	UOM	Weight
T9919KT2A	For stacking 2 coax blocks, 8in threaded rod, SST	Kit of 10	2.6
T9919KT3A	For stacking 3 coax blocks, 12in threaded rod, SST	Kit of 10	3.2

Multi-run Snap-In Hangers

- Piggy-back 3 deep when using 1/2in or 7/8in cable
- Piggy-back 2 deep when using 1-1/4in or 1-5/8in cable
- Fits smooth wall or corrugated cable

Material: Stainless Steel

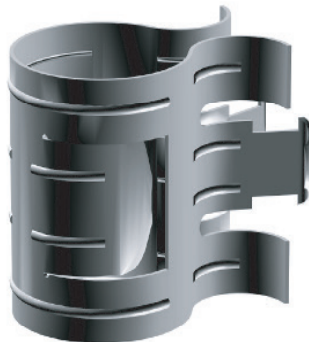


Part Number	Description	UOM	Weight
T9303AN12	For use with 1/2in Smooth or Corrugated Cable	Kit of 10	0.7
T9303AN78	For use with 7/8in Smooth or Corrugated Cable	Kit of 10	1.2
T9303AN114	For use with 1-1/4in Smooth or Corrugated Cable	Kit of 10	1.3
T9303AN158	For use with 1-5/8in Smooth or Corrugated Cable	Kit of 10	1.5
T9304AN1426	Hybrid Multi-Run Hanger, 14mm - 26mm, .55in - 1.02in	Kit of 10	0.67
T9304AN2536	Hybrid Multi-Run Hanger, 25mm - 36mm, .98in - 1.40in	Kit of 10	0.69
T9304AN3651	Hybrid Multi-Run Hanger, 36mm - 51mm, 1.40in - 2in	Kit of 10	1.1

Snap-In Hangers

- Fits smooth wall or corrugated cable

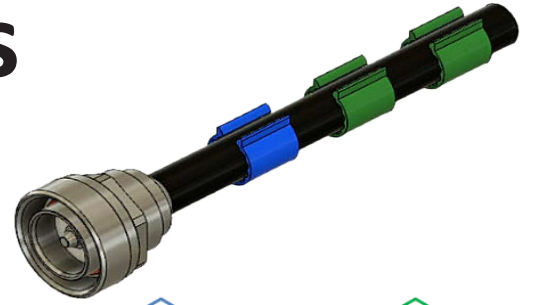
Material: Stainless Steel



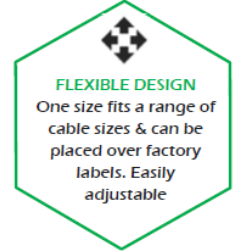
Part Number	Description	UOM	Weight
T9362MT14	For use with 1/4in cable	Kit of 10	0.6
T9362MT38	For use with 3/8in cable	Kit of 10	0.7
T9362MT12	For use with 1/2in cable	Kit of 10	0.8
T9362MT58	For use with 5/8in cable	Kit of 10	1
T9362MT78	For use with 7/8in cable	Kit of 10	1.2
T9362MT114	For use with 1-1/4in cable	Kit of 10	1.3
T9362MT158	For use with 1-5/8in cable	Kit of 10	1.5
T9362MT214	For use with 2-1/4in cable	Kit of 10	1.7

Tek Clips

Designed to fit a wide range of cables in all weather climates.
Commonly used on 1/2in Coax Cable and 208 Power Cable.



- Re-Usable
- Tool-less Design
- Multi-Use
- No Flagging!



Part Number	Description	UOM	Weight
T9526KT-BLU	TEK Clip, 1/2in, Blue (P100)	Each	0.405
T9526KT-BRN	TEK Clip, 1/2in, Brown (P100)	Each	0.405
T9526KT-GRN	TEK Clip, 1/2in, Green (P100)	Each	0.405
T9526KT-GRY	TEK Clip, 1/2in, Gray (P100)	Each	0.405
T9526KT-ORG	TEK Clip, 1/2in, Orange (P100)	Each	0.405
T9526KT-PNK	TEK Clip, 1/2in, Pink (P100)	Each	0.405
T9526KT-PUR	TEK Clip, 1/2in, Purple (P100)	Each	0.405
T9526KT-RED	TEK Clip, 1/2in, Red (P100)	Each	0.405
T9526KT-WHT	TEK Clip, 1/2in, White (P100)	Each	0.405
T9526KT-YEL	TEK Clip, 1/2in, Yellow (P100)	Each	0.405

Electrical Tape (Color)

Other colors available upon request.



Part Number	Description	UOM	Weight
T9525KT-YEL	Electrical Tape, 3/4in x 66ft, 7mil, Yellow	Each	0.1
T9525KT-RED	Electrical Tape, 3/4in x 66ft, 7mil, Red	Each	0.1
T9525KT-WHT	Electrical Tape, 3/4in x 66ft, 7mil, White	Each	0.1
T9525KT-PNK	Electrical Tape, 3/4in x 66ft, 7mil, Pink	Each	0.1
T9525KT-PUR	Electrical Tape, 3/4in x 66ft, 7mil, Purple	Each	0.1
T9525KT-GRN	Electrical Tape, 3/4in x 66ft, 7mil, Green	Each	0.1
T9525KT-ORG	Electrical Tape, 3/4in x 66ft, 7mil, Orange	Each	0.1
T9525KT-BRN	Electrical Tape, 3/4in x 66ft, 7mil, Brown	Each	0.1
T9525KT-GR	Electrical Tape, 3/4in x 66ft, 7mil, Gray	Each	0.1
T9525KT-BLK	Electrical Tape, 3/4in x 66ft, 7mil, Black	Each	0.1
T9525KT-BLU	Electrical Tape, 3/4in x 66ft, 7mil, Blue	Each	0.1



KENWOOD TELECOM
3431 NOVIS POINTE, ACWORTH, GA 30101
888-439-0500 OFFICE • 770-974-5100 FAX
WWW.KENWOODTELECOM.COM
SALES@KENWOODTELECOM.COM